

3-WHEEL



MGB 360

EASE THE LOAD

Introducing a container that tilts like a 2-wheeled container but has the manoeuvrability of a 4-wheeled container! For the first time, turning and moving a large 2-wheeled container has been made easier. Owing to its third swivel wheel the new three-wheel container is lighter and easier to move. The two extra-large wheels to the rear of the container allow for easy handling - regardless of the terrain.

1. FUNCTIONAL AND CONFORMING TO STANDARDS

ESE always considers the entire logistic and application chain when designing products, including requirements for filling, emptying, handling and health and safety. The MGB 360 with a third wheel is certified according to EN 840 and in both production and testing complies with our high quality standards.

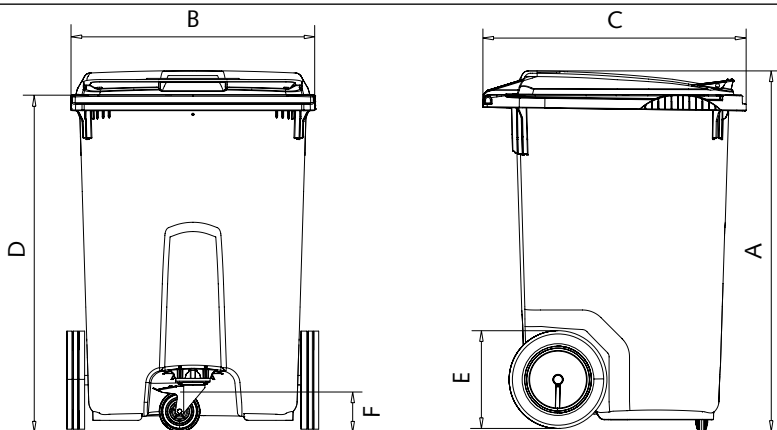
2. ERGONOMIC SUPERIORITY

- Even when filled to maximum weight, the container is still very easy to manoeuvre
- Safe handling
- Simple filling
- Quick emptying due to container profile
- Ease of handling: turning and manoeuvring with the revolutionary third wheel



New lid - better design - optimised functionality

DIMENSIONS



SIZE COMPARISON MGB 360



These details are subject to technical changes. For further options, please refer to our accessories brochure. The products contain no substances on the SVHC list of the European Chemicals Agency (ECHA).



Turn on the spot

The revolutionary third wheel

3. IDEAL FOR BIN STORAGE AREAS

- It is suitable for narrow spaces and entrances to commercial property
- Optimal utilization of the storage area
- A brake on the third wheel stops the container rolling away on sloping surfaces

4. ROBUST

Advantages of the HDPE material:

- Environmentally friendly
- Long life expectancy
- Can be recycled
- Frost-proof
- Chemical resistant
- High UV resistance

THE TILTING FUNCTION

- Simple tilting on the large rear wheels
- The ergonomically recessed foot step at the rear and the extra large wheels support the tilting of the container



Recessed foot step at the rear



Third wheel

TECHNICAL DATA

Nominal volume (l)	360
Weight of container (kg)	22
Max. permissible weight (kg)	170
A Overall height (mm)	1095
B Overall width (mm)	750
C Overall depth (mm)	805
D Height to upper edge comb (mm)	1030
E Wheel diameter	300
F Third wheel diameter (mm)	125

OPTIONS

Locking devices
Various recycling inserts
Noise reduction
Identification systems
DIN or AFNOR comb
Lid in lid
Divider





SUSTAINABILITY IN PRODUCTION AND DELIVERY

ESE operates responsibly to conserve natural resources, including the reduction of CO₂ emissions and energy reduction in the production of plastic containers. Decades of experience and development has been invested in secondary raw materials. Robust products are a priority and

ESE believes that modular design and material optimisation characterises the quality of its products. Construction is based on computer simulation and system experience, which has led to a range of sustainable products. Individual components are inter-changeable and easy maintenance means that

products are long-lasting. EN 840 and RAL certification guarantee the highest quality. Production at six European factories and the implementation of an optimized supply chain strategy lowers fuel consumption for transportation.

